

Thermit do Brasil

Efficiency in the process

Partner-Products



BUFFER STOPS

RELIABLE. ROBUST. RAWIE.

RAWIE® – WE HAVE BEEN DEVELOPING, PRODUCING AND INSTALLING BUFFERS FOR RAILWAY SYSTEMS FOR MORE THAN 100 YEARS. THEY ARE USED THROUGHOUT THE WORLD IN ALMOST EVERY RAILWAY STATION AS WELL AS IN SHUNTING YARDS AND STORAGE SIDINGS. TODAY, OUR RANGE OF PRODUCTS INCLUDES DYNAMIC END OF TRACK BUFFERS AND RAILWAY SAFETY TECHNOLOGY – INDIVIDUALLY TAILORED TO MEET THE SPECIFIC NEEDS OF EVERY TRACK AND ITS VEHICLES, BARRIER SYSTEMS AND LOADING TECHNOLOGY. PROJECT-BASED STEEL CONSTRUCTION ROUNDS OFF OUR OFFERING.

_ RAILWAY SAFETY TECHNOLOGY

_ RAILWAY LOADING AND TRANSPORT TECHNOLOGY

_ RAIL FACILITIES AND SYSTEMS

_ BARRIERS, TURNSTILES, ACCESS CONTROL AND ACCOUNTING SYSTEMS

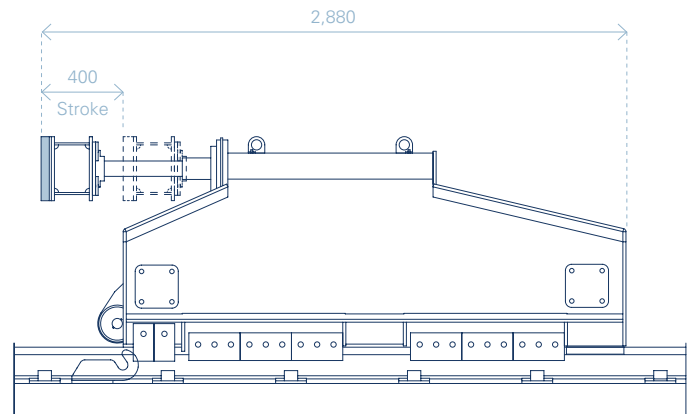
_ STEEL CONSTRUCTION - SPECIAL PURPOSE STRUCTURES





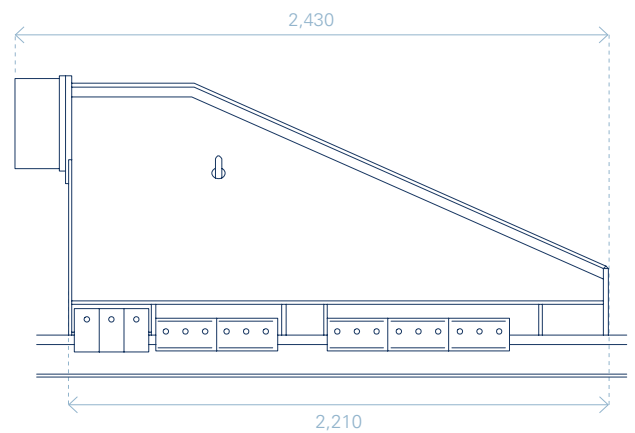
Sliding Friction Buffer Stop Type 12 EB

for Metro applications, equipped with hydraulic shock absorbers.



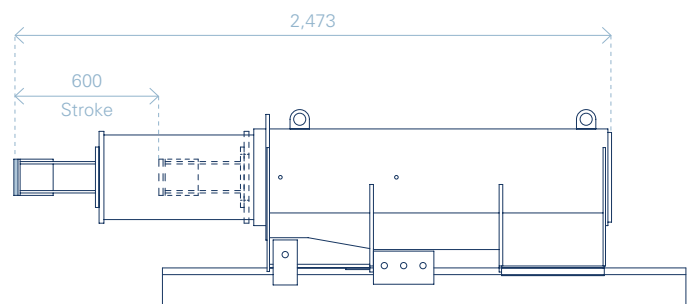
Sliding Friction Buffer Stop

for long distance passenger trains and heavy haul trains.



Sliding Friction Buffer Stop Type 2 EB

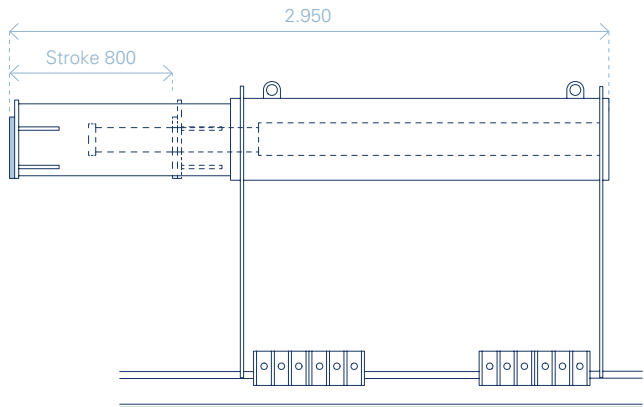
for Light Rail and Tram Systems equipped with integrated hydraulic shock absorber.



RAWIE®

Fixed Buffer Stop

for depot lines and stabling yards with integrated hydraulic shock absorber.



Sliding Friction Buffer Stop Type 6 EB

at track ends in pit shop tracks.

